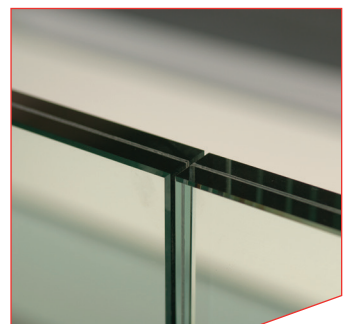


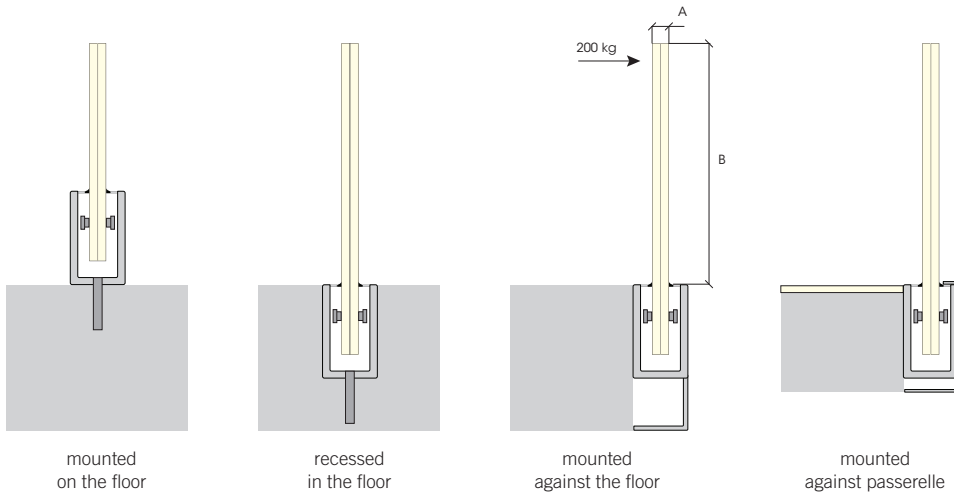
grāah. / vision



full glass balustrades

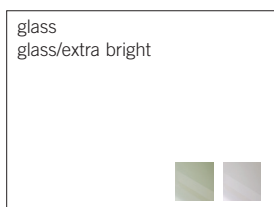


technical



A	residential	commercial/public
21,5 mm (10+10+1.52PVB)	●	
25,5 mm (12+12+1.52PVB)	●	●
17,5 mm (8+8+1.52 plate*)	●	
21,5 mm (10+10+1.52 plate*)	●	●
B	standard	fall height > 12 m
Balustrade height	1100 mm	1200 mm

filling options



* structural interlayer glass

maintenance
see www.graah.be